

KWIKSET CONVERT SMART LOCK CONVERSION KIT FEATURING Z-WAVE PLUS®



Model #: Kwikset Convert

Function: Smart Lock Conversion Kit

Features

- Remote Locking and Unlocking
 - Monitoring Lock Status
 - Set-Up Scenes and Trigger Events
 - Motorised Conversion Kit
 - Auto re-lock 30-seconds after unlocking - ON/OFF
 - Interior LED locked/ unlocked status - ON/OFF
- *Features dependent on the capability of your smart home system*

Security

- Z-Wave Plus®
- 128-bit Advanced Encryption Standard (AES) communication

Specifications

Electrical:

Input Power 6V (4 x AA alkaline batteries)

Mechanical:

Function Smart Lock Conversion kit

Door Thickness 1 3/8" - 2" automatic adjustment

Door Handing Reversible

Batteries 4AA Required

Wireless Protocol Z-Wave 500; lock complies with Z-Wave standard of open air, line of sight transmission of 160 feet or more. Compliant with FCC Part 15, Industry Canada. *Range may vary depending on radio frequency environment. Work with your home control platform to optimize range.

Environmental:

Temperature Range Interior: 32°F to 140°F

Humidity Interior: 30% - 95% non-condensing

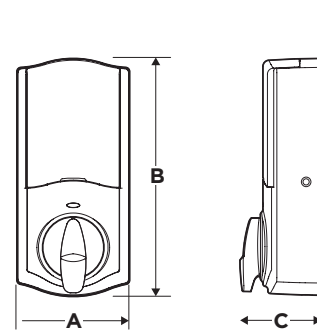
Wireless Communication

- Z-Wave Plus® wireless technology
- RF Operation: 908.42 MHz (US)
- Range: Typical 160ft line of sight



Electronic Compliance

- Z-Wave Plus®
- FCC Part 15
- Industry Canada



Design	A	B	C	D
Interior	2 23/32" (69.1 mm)	5 3/4" (146 mm)	1 15/16 " (49.5 mm)	

Supported Command Classes:

- BASIC
- VERSION
- SECURITY
- Z-WAVE PLUS
- MANUFACTURER SPECIFIC
- DEVICE RESET LOCALLY
- BATTERY
- FIRMWARE UPDATE MD
- DOOR LOCK
- POWER LEVEL
- ASSOCIATION
- ASSOCIATION GROUP INFO
- NOTIFICATION/ALARM
- CONFIGURATION
- ANTITHEFT

Event Notifications:

- Manual Lock Operation
- Manual Unlock Operation
- RF Lock Operation
- RF Unlock Operation
- RF Not Fully Locked Operation
- Autolock Locked Operation
- Autolock Not Fully Locked Operation
- Lock Jammed
- Battery Alarms

convert
Smart Lock Conversion Kit
With Z-Wave Plus® Technology

